

Fluido Aire comprimido y todos los fluidos compatibles con los materiales del conector
 Presión de trabajo Máx. 20 bar (290 psi)
 Vacío..... 99 %
 Temperat. de utiliz. -20...120 °C (-4...176 °F)
 Rosca de conexión..... BSP cónica, excepto en M5x0,8
 Materiales Cuerpo de acero inoxidable 316L, pinza de acero inoxidable 303, sellos de FKM



Conector recto rosca R



ØR	ØD	MiCRO
M 5	4	0.458.010.419
R 1/8"	4	0.458.050.410
R 1/8"	6	0.458.050.610
R 1/4"	8	0.458.050.813
R 1/4"	10	0.458.051.013
R 3/8"	8	0.458.050.817
R 3/8"	10	0.458.051.017
R 3/8"	12	0.458.051.217
R 1/2"	12	0.458.051.221

Conector a 90° rosca R



ØR	ØD	MiCRO
M 5	4	0.458.990.419
R 1/8"	4	0.458.890.410
R 1/8"	6	0.458.890.610
R 1/4"	8	0.458.890.813
R 1/4"	10	0.458.891.013
R 3/8"	8	0.458.890.817
R 3/8"	10	0.458.891.017
R 3/8"	12	0.458.891.217
R 1/2"	12	0.458.891.221

Codo igual rosca R



ØD	MiCRO
4	0.458.020.400
6	0.458.020.600
8	0.458.020.800
10	0.458.021.000
12	0.458.021.200

Unión Te igual



ØD	MiCRO
4	0.458.040.400
6	0.458.040.600
8	0.458.040.800
10	0.458.041.000
12	0.458.041.200

Unión doble hembra



ØD	MiCRO
4	0.458.060.400
6	0.458.060.600
8	0.458.060.800
10	0.458.061.000
12	0.458.061.200

Buje de reducción



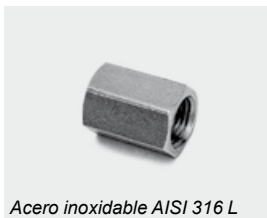
ØC1	ØC2	MiCRO
R 1/4"	G 1/8"	0.418.631.310
R 3/8"	G 1/4"	0.418.631.713
R 1/2"	G 3/8"	0.418.632.117
R 3/4"	G 1/2"	0.418.632.721

Niple



ØC1	ØC2	MiCRO
R 1/8"	R 1/8"	0.418.211.010
R 1/4"	R 1/4"	0.418.211.313
R 3/8"	R 3/8"	0.418.211.717
R 1/2"	R 1/2"	0.418.212.121

Cupla



ØD	MiCRO
G 1/8"	0.418.551.010
G 1/4"	0.418.551.313
G 3/8"	0.418.551.717
G 1/2"	0.418.552.121

Tapón roscado



ØC	MiCRO
R 1/8"	0.402.851.000
R 1/4"	0.402.851.300
R 3/8"	0.402.851.700
R 1/2"	0.402.852.100
R 3/4"	0.402.852.700

Accesorio pasachapas




ØR	ØT	MiCRO
G 1/8"	16,5	0.418.170.010
G 1/4"	20,5	0.418.170.013
G 3/8"	26,5	0.418.170.017
G 1/2"	28,5	0.418.170.021
G 3/4"	34,5	0.418.170.027


Fluido	Aire comprimido y todos los fluidos compatibles con los materiales del conector
Presión de trabajo	Máx. 30 bar (435 psi)
Vacío.....	99 %
Temperat. de utiliz.	-25...150 °C (-13...302 °F)
Rosca de conexión.....	BSP paralela con sello frontal
Normas	FDA y Directiva Europea 1935/2004/CE (4)
Materiales.....	Cuerpo y pinza de de acero inoxidable 316L, sellos de FKM




Conector recto rosca G

	ØR	ØD	MiCRO
		M 5	4
	G 1/8"	4	0.439.010.410
	G 1/8"	6	0.439.010.610
	G 1/4"	8	0.439.010.813
	G 1/4"	10	0.439.010.013
	G 3/8"	8	0.439.010.817
	G 3/8"	10	0.439.011.017
	G 3/8"	12	0.439.011.217
	G 1/2"	12	0.439.011.221


Conector a 90° rosca G

	ØR	ØD	MiCRO
		M 5	4
	G 1/8"	4	0.439.790.410
	G 1/8"	6	0.439.790.610
	G 1/4"	8	0.439.790.813
	G 1/4"	10	0.439.790.013
	G 3/8"	8	0.439.790.817
	G 3/8"	10	0.439.791.017
	G 3/8"	12	0.439.791.217
	G 1/2"	12	0.439.791.221


Codo igual

	ØD	MiCRO
		4
	6	0.439.020.600
	8	0.439.020.800
	10	0.439.021.000
	12	0.439.021.200

Unión Te igual

	ØD	MiCRO
		4
	6	0.439.040.600
	8	0.439.040.800
	10	0.439.041.000
	12	0.439.041.200

Unión doble hembra

	ØD	MiCRO
		4
	6	0.439.060.600
	8	0.439.060.800
	10	0.439.061.000
	12	0.439.061.200